

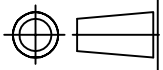


ALLWYN ENTERPRISE

UNIT-1:31,SHAYONA ESTATE , NEAR VADILAL ICE FACTORY,
TAVDIPURA,DUDHESHWAR ROAD , SHAHIBAUG,
AHMEDABAD-380 004 , GUJARAT, INDIA.
E-mail: info@valvemanufacturer.in

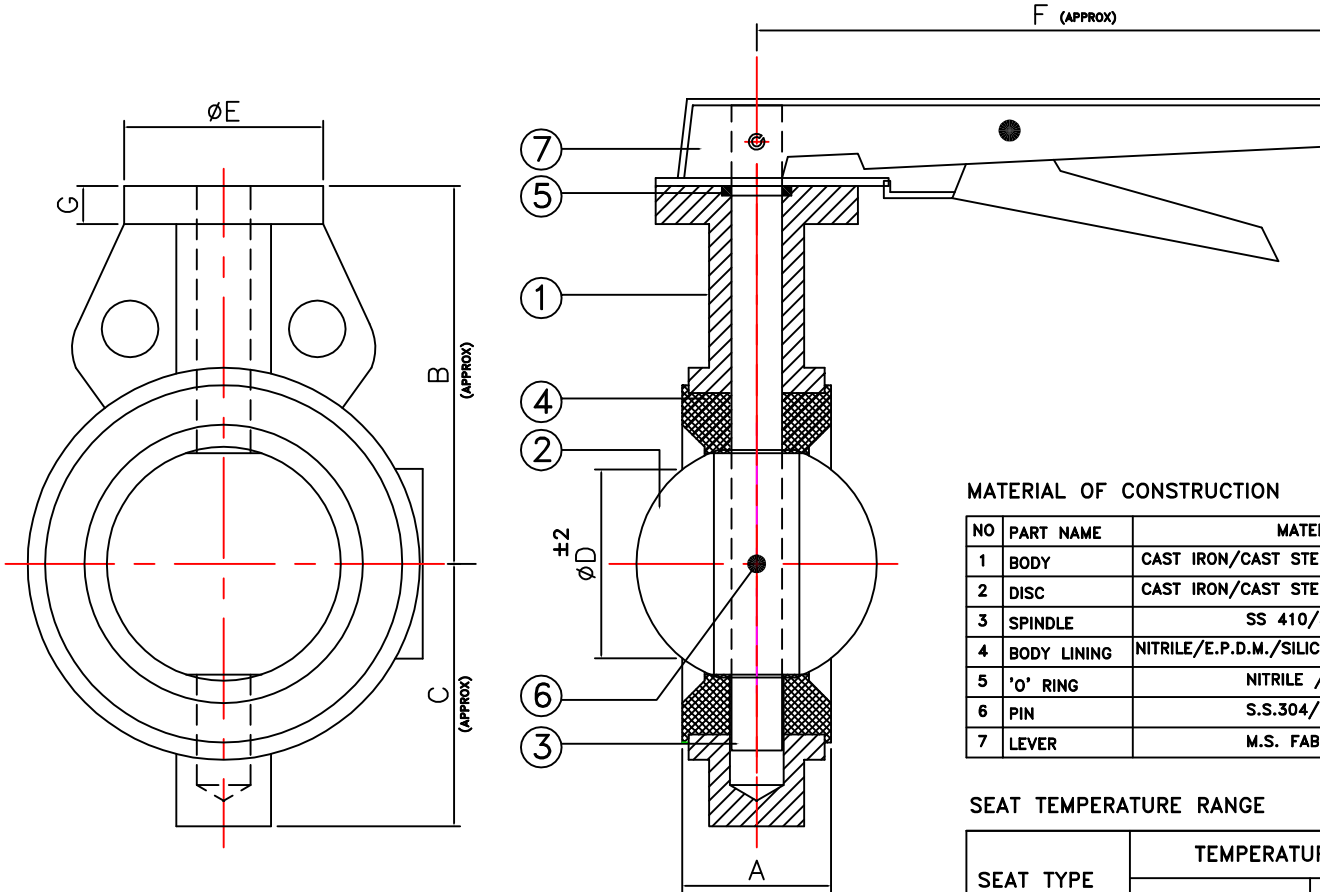
DRN
MASUM

DATE
27/08/2011



WAFER TYPE BUTTER FLY VALVE.

DRG. NO : AE/BFV/80



MATERIAL OF CONSTRUCTION

NO	PART NAME	MATERIAL
1	BODY	CAST IRON/CAST STEEL/S.S.304-316
2	DISC	CAST IRON/CAST STEEL/S.S.304-316
3	SPINDLE	SS 410/304/316
4	BODY LINING	NITRILE/E.P.D.M./SILICON/VITON/HYPALON
5	'O' RING	NITRILE / E.P.D.M.
6	PIN	S.S.304/316
7	LEVER	M.S. FABRICATED

SEAT TEMPERATURE RANGE

SEAT TYPE	TEMPERATURE RANGE	
	Min.	Max.
NITRILE	-13°F(-25°C)	212°F(100°C)
EPDM	-13°F(-25°C)	250°F(120°C)
SILICON	-58°F(-50°C)	356°F(180°C)
VITON	-23°F(-5°C)	392°F(200°C)
HYPALON	-4°F(-20°C)	250°F(120°C)

TESTING

PRESSURE RATING	HYDROSTATIC SHELL TEST		HYDROSTATIC SEAT TEST	
	Kg/CM2	PSI	Kg/CM2	PSI
PN16	22	310	16	225
PN10	15	210	10	140

NOTE : ALL DIMENSION ARE IN MM.

SIZE		A	B	C	D	E	F	G	FLANGE MOUNTING (I.S.O 5211)
MM	INCH								
80	3"	46	118	85	67	65	215	15	F05

CONFORMITY TO CODES & STANDARDS

- 1) GENERAL DESIGN & MANUFACTURE :- BS 5155 / API 609 / EN 593 / IS 13095
- 2) VALVE FACE TO FACE DIMENSION :- BS 5155 / ISO 5752 / API 609
- 3) TOP FLANGE DRILLING :- ISO 5211
- 4) VALVE INSPECTION & TESTING :- BS 6755 Part - I / API 598 / EN 12266-1
- 5) FLANGE STANDARD CONFORMITY :- ANSI 150 / ANSI 125 / BS 10 TAB D & E
IS 6392 NP 0.6 / 1.0 / 1.6

THIS DRAWING IS PROPERTY OF ALLWYN ENTERPRISE
ALLWYN ENTERPRISE RESERVES RIGHTS OF USE,CHANGE & MODIFY PRODUCT DESIGN OR PRODUCT WITHOUT PRIOR NOTICE.

CHECKED BY :-

APPROVED :-