



ALLWYN ENTERPRISE

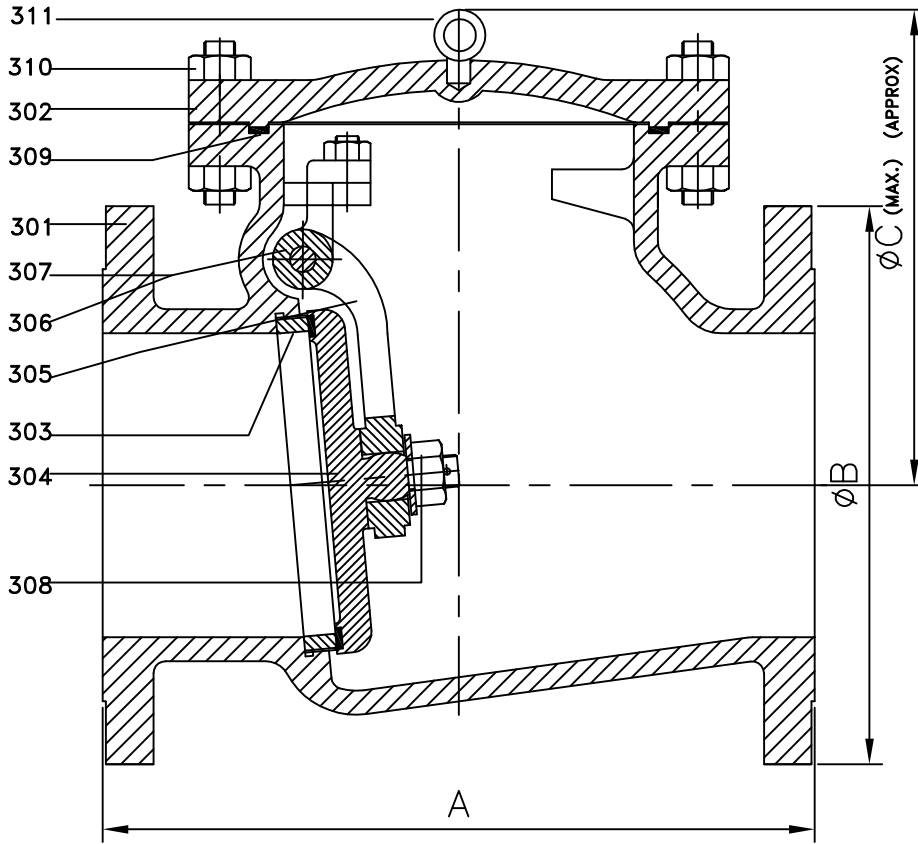
UNIT-1:31,SHAYONA ESTATE , NEAR VADILAL ICE FACTORY,
TAVDIPURA,DUDHESHWAR ROAD , SHAHIBAUG,
AHMEDABAD-380 004 , GUJARAT, INDIA.

E-mail: info@valvemanufacturer.in

DRN	DATE	
MASUM	5/09/2011	

SWING CHECK VALVE
150#/300#/600#

DRG. NO : AE/CHK/50-300



MATERIAL OF CONSTRUCTION

SR.NO.	PARTS NAME	MATERIALS		
301	BODY	A216-WCB	A351-CF8	A351-CF8M
302	COVER	A216-WCB	A351-CF8	A351-CF8M
303	SEAT RING	A105+13%Cr	A351-CF8	A351-CF8M
304	DISC	A217-CA15	A351-CF8	A351-CF8M
305	DISC CARRIER	A276-410	A276-CF8	A276-316
306	HINGE PIN	A276-410	A276-CF8	A276-316
307	END PLUG (HEX)	A276-304	A276-304	A276-316
308	NUT & WASHER	A276-304	A276-304	A276-316
309	GASKET	SS+GRAPHITE FILLED		
310	FULLTHREAD STUD	A193-B7/	A193-B8/	A193-B8M/
	2 HEAVY NUTS	A194-2H	A194-8	A194-8M
311	LIFTING BOLT 6" & ABOVE ONLY	CS		

TESTING

PRESSURE RATING	HYDROSTATIC SHELL TEST	HYDROSTATIC SEAT TEST
	Kg/CM2	Kg/CM2
150#	31.5	22
300#	79	58
600#	157.5	114

DIMENSION TABLE 150#

SIZE		A	øB	C(MAX.)
MM	INCH			
50	2"	203	52	150
80	3"	241	76	175
100	4"	292	102	195
150	6"	356	153	293
200	8"	495	203	345
250	10"	622	254	403
300	12"	698	305	478

DIMENSION TABLE 300#

SIZE		A	øB	C(MAX.)
MM	INCH			
50	2"	267	52	148
80	3"	318	76	180
100	4"	356	102	208
150	6"	444	153	300
200	8"	533	203	387
250	10"	622	254	434
300	12"	711	305	526

DIMENSION TABLE 600#

SIZE		A	øB	C(MAX.)
MM	INCH			
50	2"	292	52	150
80	3"	356	76	185
100	4"	432	102	218
150	6"	559	153	332
200	8"	660	203	387
250	10"	787	254	498
300	12"	838	298	597

CONFORMITY TO CODES & STANDARDS

- 1) GENERAL DESIGN :- API 549
- 2) TESTING :- API 598
- 3) TYPE :- SWING CHECK
- 4) RATING :- CLASS 150,300,600
- 5) FACE TO FACE :- ASME B 16.10
- 6) PRESSURE & TEMPERATURE RATING :- ASME B 16.34 (STANDARD CLASS)
- 7) FLANGE STANDARED CONFORMITY :- ASME B 16.5

NOTE:-ALL DIM. ARE IN MM

THIS DRAWING IS PROPERTY OF ALLWYN ENTERPRISE.

ALLWYN ENTERPRISE RESERVES RIGHTS OF USE,CHANGE & MODIFY PRODUCT DESIGN OR PRODUCT WITHOUT PRIOR NOTICE.

CHECKED BY :-

APPROVED :-