



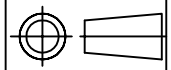
# ALLWYN ENTERPRISE

UNIT-1:31,SHAYONA ESTATE , NEAR VADILAL ICE FACTORY,  
TAVDIPURA,DUDHESHWAR ROAD , SHAHIBAUG,  
AHMEDABAD-380 004 , GUJARAT, INDIA.

E-mail: info@valvemanufacturer.in

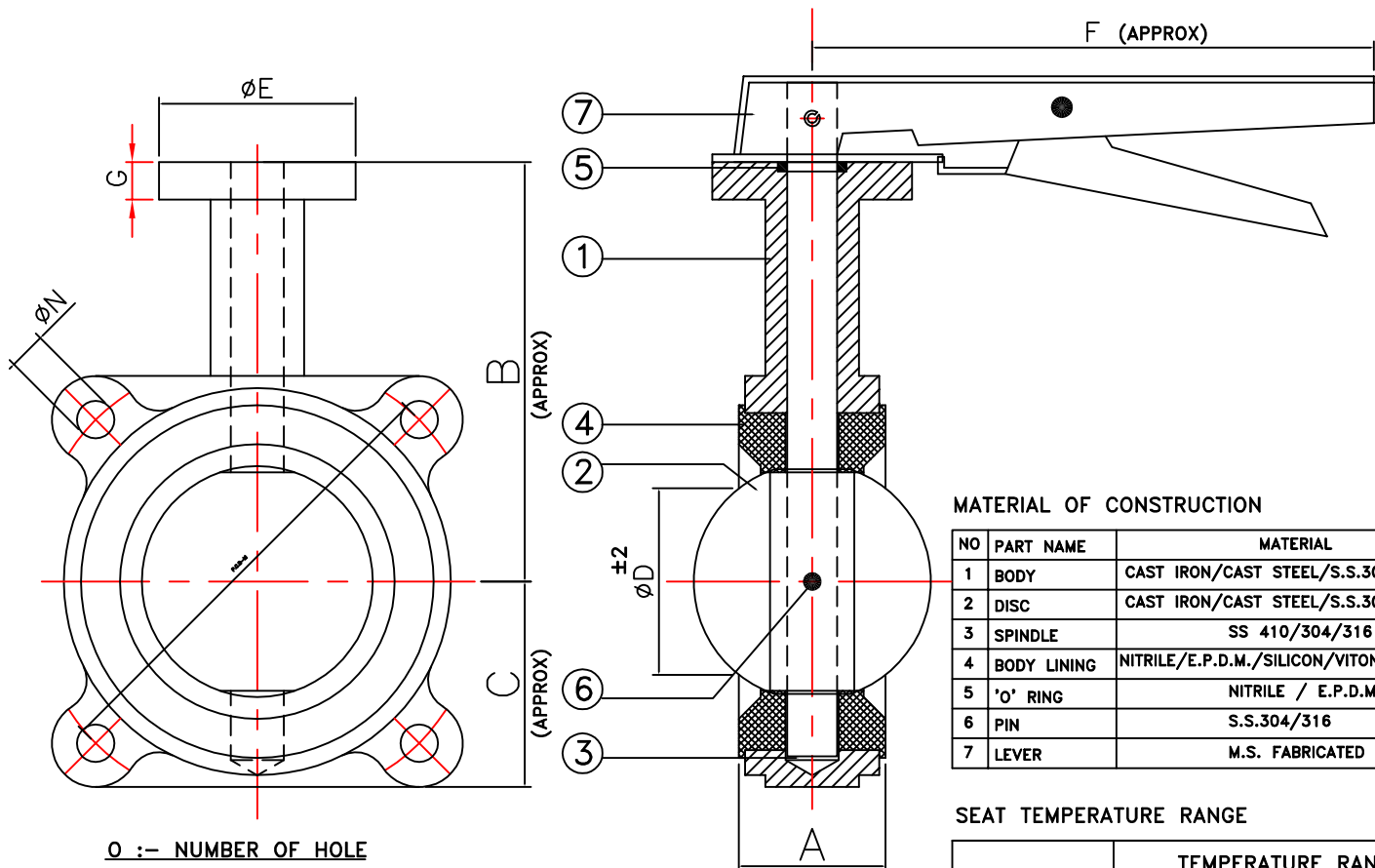
DRN  
MASUM

DATE  
27/08/2011



LUG TYPE BUTTER FLY VALVE.

DRG. NO : AE/LUG-BFV/40-80



NOTE:-M,N,O AS PER REQUIREMENT

M = \_\_\_\_\_  
N = \_\_\_\_\_  
O = \_\_\_\_\_

NOTE : ALL DIMENSION ARE IN MM.

### MATERIAL OF CONSTRUCTION

| NO | PART NAME   | MATERIAL                               |
|----|-------------|--|
| 1  | BODY        | CAST IRON/CAST STEEL/S.S.304-316       |
| 2  | DISC        | CAST IRON/CAST STEEL/S.S.304-316       |
| 3  | SPINDLE     | SS 410/304/316                         |
| 4  | BODY LINING | NITRILE/E.P.D.M./SILICON/VITON/HYPALON |
| 5  | 'O' RING    | NITRILE / E.P.D.M.                     |
| 6  | PIN         | S.S.304/316                            |
| 7  | LEVER       | M.S. FABRICATED                        |

### SEAT TEMPERATURE RANGE

| SEAT TYPE | TEMPERATURE RANGE |              |
|-----------|-------------------|--------------|
|           | Min.              | Max.         |
| NITRILE   | -13°F(-25°C)      | 212°F(100°C) |
| EPDM      | -13°F(-25°C)      | 250°F(120°C) |
| SILICON   | -58°F(-50°C)      | 356°F(180°C) |
| VITON     | -23°F(-5°C)       | 392°F(200°C) |
| HYPALON   | -4°F(-20°C)       | 250°F(120°C) |

### TESTING

| PRESSURE RATING | HYDROSTATIC SHELL TEST |     | HYDROSTATIC SEAT TEST |     |
|-----------------|------------------------|-----|-----------------------|-----|
|                 | Kg/CM2                 | PSI | Kg/CM2                | PSI |
| PN16            | 22                     | 310 | 16                    | 225 |
| PN10            | 15                     | 210 | 10                    | 140 |

### CONFORMITY TO CODES & STANDARDS

- 1) GENERAL DESIGN & MANUFACTURE :- BS 5155 / API 609 / EN 593 / IS 13095
- 2) VALVE FACE TO FACE DIMENSION :- BS 5155 / ISO 5752 / API 609
- 3) TOP FLANGE DRILLING :- ISO 5211
- 4) VALVE INSPECTION & TESTING :- BS 6755 Part - I / API 598 / EN 12266-1
- 5) FLANGE STANDARD CONFORMITY :- ANSI 150 / ANSI 125 / BS 10 TAB D & E  
IS 6392 NP 0.6 / 1.0 /1.6

THIS DRAWING IS PROPERTY OF ALLWYN ENTERPRISE.  
ALLWYN ENTERPRISE RESERVES RIGHTS OF USE,CHANGE & MODIFY PRODUCT DESIGN OR PRODUCT WITHOUT PRIOR NOTICE.

CHECKED BY :-

APPROVED :-