

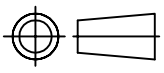


# ALLWYN ENTERPRISE

UNIT-1:31,SHAYONA ESTATE , NEAR VADILAL ICE FACTORY,  
TAVDIPURA,DUDHESHWAR ROAD , SHAHIBAUG,  
AHMEDABAD-380 004 , GUJARAT , INDIA.  
E-mail: info@valvemanufacturer.in

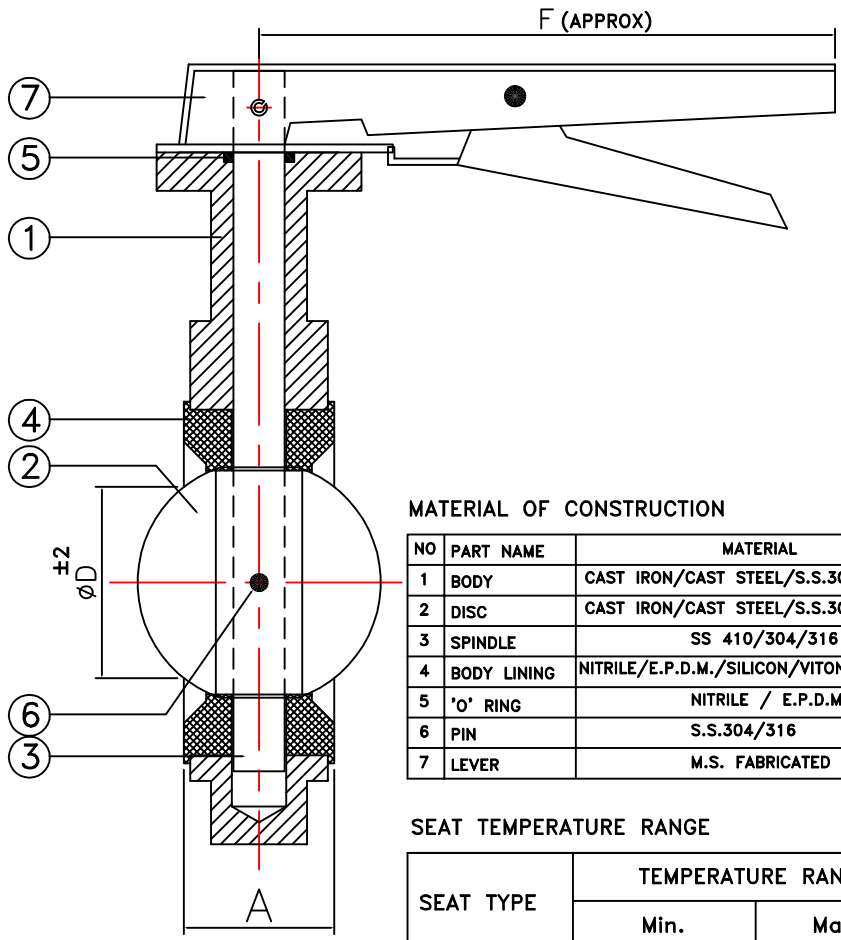
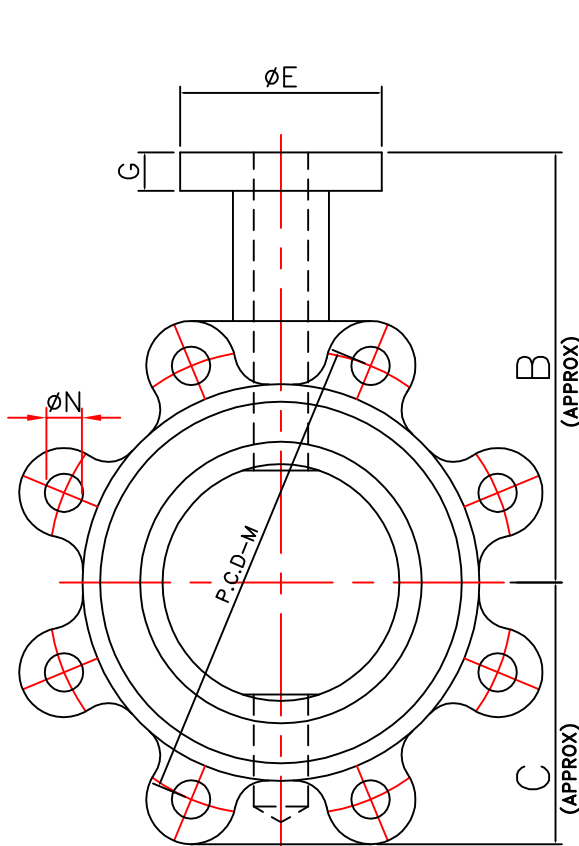
DRN  
MASUM

DATE  
27/08/2011



LUG TYPE BUTTER FLY VALVE.

DRG. NO : AE/LUG-BFV/100-200



### MATERIAL OF CONSTRUCTION

NO	PART NAME	MATERIAL
1	BODY	CAST IRON/CAST STEEL/S.S.304-316
2	DISC	CAST IRON/CAST STEEL/S.S.304-316
3	SPINDLE	SS 410/304/316
4	BODY LINING	NITRILE/E.P.D.M./SILICON/VITON/HYPALON
5	'O' RING	NITRILE / E.P.D.M.
6	PIN	S.S.304/316
7	LEVER	M.S. FABRICATED

### SEAT TEMPERATURE RANGE

SEAT TYPE	TEMPERATURE RANGE	
	Min.	Max.
NITRILE	-13°F(-25°C)	212°F(100°C)
EPDM	-13°F(-25°C)	250°F(120°C)
SILICON	-58°F(-50°C)	356°F(180°C)
VITON	-23°F(-5°C)	392°F(200°C)
HYPALON	-4°F(-20°C)	250°F(120°C)

### TESTING

PRESSURE RATING	HYDROSTATIC SHELL TEST		HYDROSTATIC SEAT TEST	
	Kg/CM2	PSI	Kg/CM2	PSI
PN16	22	310	16	225
PN10	15	210	10	140

O = NUMBER OF HOLES.

NOTE:-M,N,O AS PER REQUIREMENT

M = \_\_\_\_\_

N = \_\_\_\_\_

O = \_\_\_\_\_

NOTE : ALL DIMENSION ARE IN MM.

SIZE		A		B	C	D	E	F	G	FLANGE MOUNTING (I.S.O 5211)
MM	INCH	FACE TO FACE	FACE TO FACE							
100	4"	52	54	156	106	88	65	215	15	F05
125	5"	56	57	187	125	114	65	265	15	F05
150	6"	56	57	200	134	142	65	265	15	F05
200	8"	60	64	230	165	194	75	325	15	F07

### CONFORMITY TO CODES & STANDARDS

- 1) GENERAL DESIGN & MANUFACTURE :- BS 5155 / API 609 / EN 593 / IS 13095
- 2) VALVE FACE TO FACE DIMENSION :- BS 5155 / ISO 5752 / API 609
- 3) TOP FLANGE DRILLING :- ISO 5211
- 4) VALVE INSPECTION & TESTING :- BS 6755 Part - I / API 598 / EN 12266-1
- 5) FLANGE STANDARD CONFORMITY :- ANSI 150 / ANSI 125 / BS 10 TAB D & E  
IS 6392 NP 0.6 / 1.0 /1.6

THIS DRAWING IS PROPERTY OF ALLWYN ENTERPRISE.  
ALLWYN ENTERPRISE RESERVES RIGHTS OF USE,CHANGE & MODIFY PRODUCT DESIGN OR PRODUCT WITHOUT PRIOR NOTICE.

CHECKED :-

APPROVED :-