

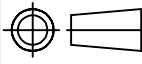


ALLWYN ENTERPRISE

UNIT-1:31, SHAYONA ESTATE, NEAR VADILAL ICE FACTORY,
TAVDIPURA, DUDHESHWAR ROAD, SHAHIBAUG,
AHMEDABAD-380 004, GUJARAT, INDIA.
E-mail: info@valvemanufacturer.in

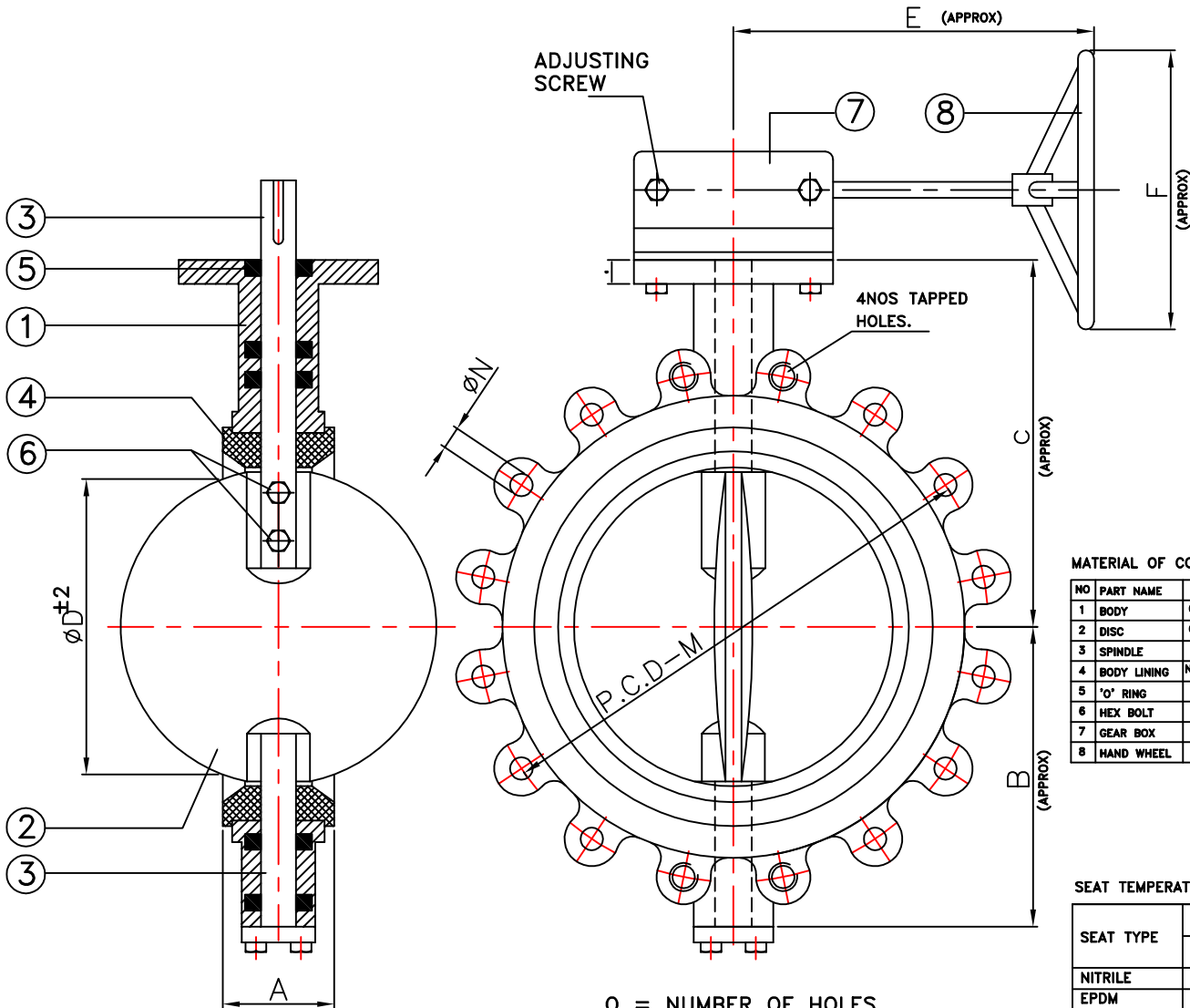
DRN
MASUM

DATE
27/08/2011



WAFER TYPE BUTTER FLY VALVE.

DRG. NO : AE/LUG-BFV-G/350-450



NOTE : ALL DIMENSION ARE IN MM.

MATERIAL OF CONSTRUCTION

NO	PART NAME	MATERIAL
1	BODY	CAST IRON/CAST STEEL/S.S.304-316
2	DISC	CAST IRON/CAST STEEL/S.S.304-316
3	SPINDLE	SS 410/304/316
4	BODY LINING	NITRILE/E.P.D.M./SILICON/VITON/HYPALON
5	'O' RING	NITRILE / E.P.D.M.
6	HEX BOLT	S.S.304/316
7	GEAR BOX	CAST IRON
8	HAND WHEEL	M.S. FABRICATED

SEAT TEMPERATURE RANGE

SEAT TYPE	TEMPERATURE RANGE	
	Min.	Max.
NITRILE	-13°F(-25°C)	212°F(100°C)
EPDM	-13°F(-25°C)	250°F(120°C)
SILICON	-58°F(-50°C)	356°F(180°C)
VITON	-23°F(-5°C)	392°F(200°C)
HYPALON	-4°F(-20°C)	250°F(120°C)

TESTING

PRESSURE RATING	HYDROSTATIC SHELL TEST		HYDROSTATIC SEAT TEST	
	Kg/CM2	PSI	Kg/CM2	PSI
PN16	22	310	16	225
PN10	15	210	10	140

SIZE		A		B	C	D	E	F	G	FLANGE MOUNTING (I.S.O 5211)
MM	INCH	FACE TO FACE	FACE TO FACE							
350	14"	92	117	320	272	330	300	350	22	F12
400	16"	102	133	385	302	375	305	500	22	F14
450	18"	114	149	405	325	425	305	500	24	F14

NOTE:-M,N,O AS PER REQUIREMENT

M = _____
N = _____
O = _____

CONFORMITY TO CODES & STANDARDS

- GENERAL DESIGN & MANUFACTURE :- BS 5155 / API 609 / EN 593 / IS 13095
- VALVE FACE TO FACE DIMENSION :- BS 5155 / ISO 5752 / API 609
- TOP FLANGE DRILLING :- ISO 5211
- VALVE INSPECTION & TESTING :- BS 6755 Part - I / API 598 / EN 12266-1
- FLANGE STANDARD CONFORMITY :- ANSI 150 / ANSI 125 / BS 10 TAB D & E
IS 6392 NP 0.6 / 1.0 / 1.6

THIS DRAWING IS PROPERTY OF ALLWYN ENTERPRISE.
ALLWYN ENTERPRISE RESERVES RIGHTS OF USE, CHANGE & MODIFY PRODUCT DESIGN OR PRODUCT WITHOUT PRIOR NOTICE.

CHECKED BY :-

APPROVED :-