



# ALLWYN ENTERPRISE

UNIT-1:31,SHAYONA ESTATE , NEAR VADILAL ICE FACTORY,  
TAVDIPURA,DUDHESHWAR ROAD , SHAHIBAUG,  
AHMEDABAD-380 004 , GUJARAT, INDIA.

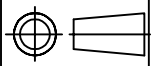
E-mail: info@valvemanufacturer.in

DRN

MASUM

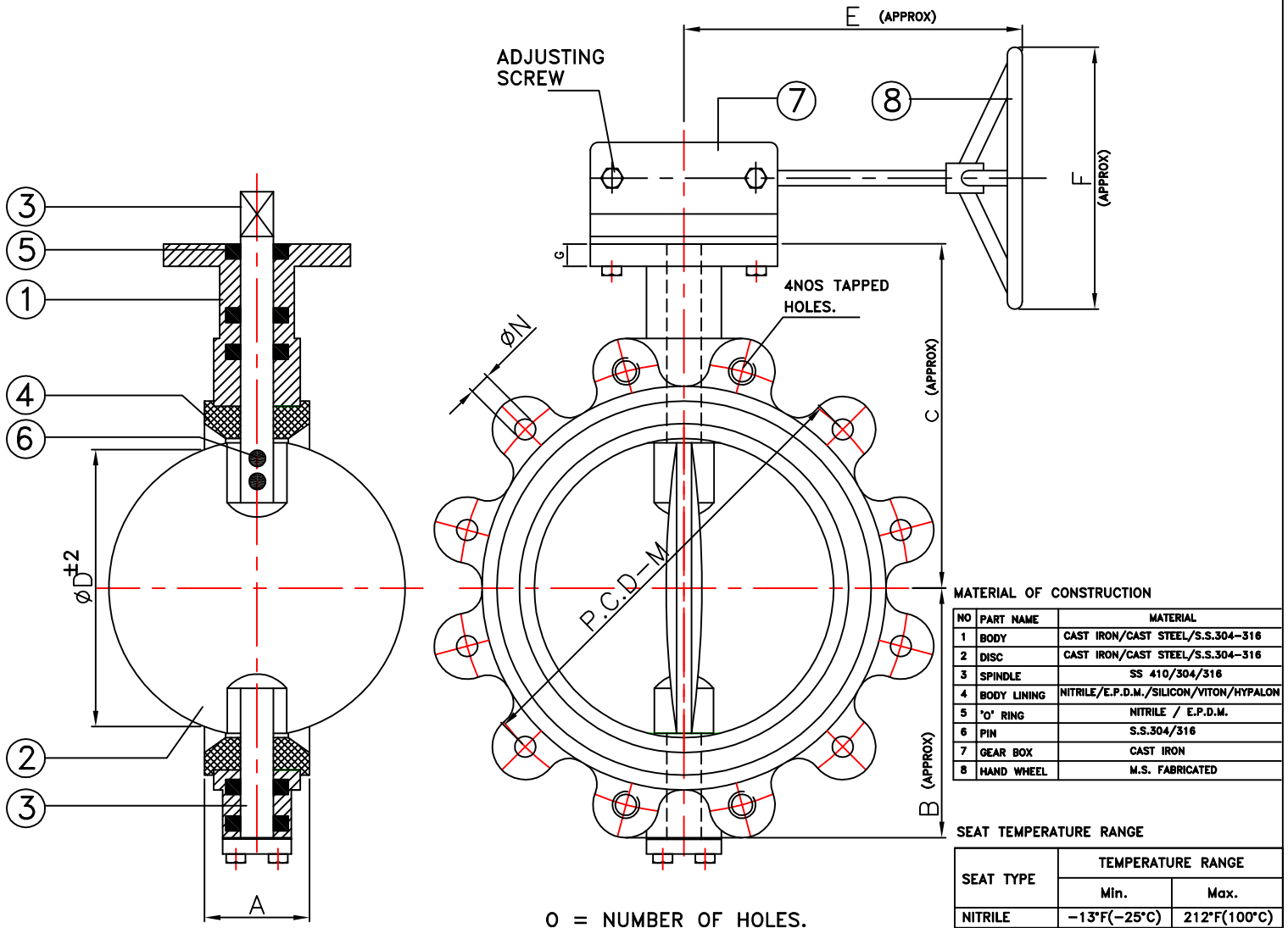
DATE

27/08/2011



LUG TYPE BUTTER FLY VALVE.

DRG. NO : AE/LUG-BFV-G/200-300



NOTE : ALL DIMENSION ARE IN MM.

SIZE	A CATEGORY-A FACE TO FACE	A CATEGORY-B FACE TO FACE		B	C	D	E	F	G	FLANGE MOUNTING (I.S.O 5211)
		150#	300#							
200	8"	60	64 73	230	165	194	285	300	15	F10
250	10"	68	71 83	266	224	243	285	350	18	F10
300	12"	78	81 92	300	236	292	285	350	18	F10

NOTE:-M.N.O AS PER REQUIREMENT

M = \_\_\_\_\_  
N = \_\_\_\_\_  
O = \_\_\_\_\_

### MATERIAL OF CONSTRUCTION

NO	PART NAME	MATERIAL
1	BODY	CAST IRON/CAST STEEL/S.S.304-316
2	DISC	CAST IRON/CAST STEEL/S.S.304-316
3	SPINDLE	SS 410/304/316
4	BODY LINING	NITRILE/E.P.D.M./SILICON/VITON/HYPALON
5	'O' RING	NITRILE / E.P.D.M.
6	PIN	S.S.304/316
7	GEAR BOX	CAST IRON
8	HAND WHEEL	M.S. FABRICATED

### SEAT TEMPERATURE RANGE

SEAT TYPE	TEMPERATURE RANGE	
	Min.	Max.
NITRILE	-13°F(-25°C)	212°F(100°C)
EPDM	-13°F(-25°C)	250°F(120°C)
SILICON	-58°F(-50°C)	356°F(180°C)
VITON	-23°F(-5°C)	392°F(200°C)
HYPALON	-4°F(-20°C)	250°F(120°C)

### TESTING

PRESSURE RATING	HYDROSTATIC SHELL TEST		HYDROSTATIC SEAT TEST	
	Kg/CM2	PSI	Kg/CM2	PSI
PN16	22	310	16	225
PN10	15	210	10	140

### CONFORMITY TO CODES & STANDARDS

- 1) GENERAL DESIGN & MANUFACTURE :- BS 5155 / API 609 / EN 593 / IS 13095
- 2) VALVE FACE TO FACE DIMENSION :- BS 5155 / ISO 5752 / API 609
- 3) TOP FLANGE DRILLING :- ISO 5211
- 4) VALVE INSPECTION & TESTING :- BS 6755 Part - I / API 598 / EN 12266-1
- 5) FLANGE STANDARD CONFORMITY :- ANSI 150 / ANSI 125 / BS 10 TAB D & E  
IS 6392 NP 0.6 / 1.0 / 1.6

THIS DRAWING IS PROPERTY OF ALLWYN ENTERPRISE  
ALLWYN ENTERPRISE RESERVES RIGHTS OF USE,CHANGE & MODIFY PRODUCT DESIGN OR PRODUCT WITHOUT PRIOR NOTICE.

CHECKED :-

APPROVED :-