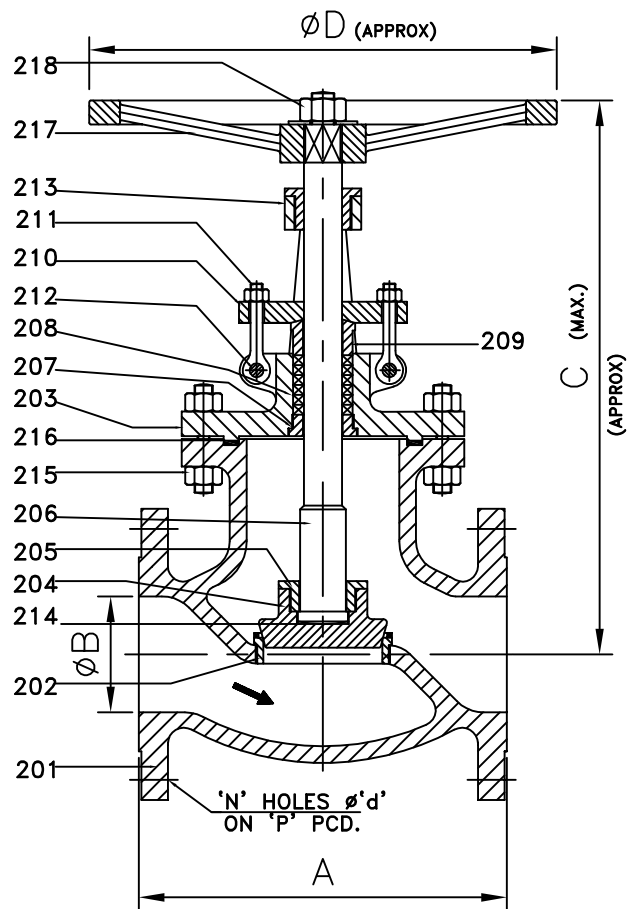




ALLWYN ENTERPRISE

UNIT-1:31,SHAYONA ESTATE , NEAR VADILAL ICE FACTORY,
TAVDIPURA,DUDHESHWAR ROAD , SHAHIBAUG,
AHMEDABAD-380 004 , GUJARAT, INDIA.
E-mail: info@valvemanufacturer.in

DRN	DATE	
MASUM	5/09/2011	
GLOBE VALVE -150#-300#-600#		
DRG. NO : AE/GLV/50-300		



MATERIAL OF CONSTRUCTION

SR.NO.	PARTS NAME	MATERIALS		
201	BODY	A216-WCB	A351-CF8	A351-CF8M
202	SEAT RING	A105+13%Cr	A351-CF8	A351-CF8M
203	BONNET	A216-WCB	A351-CF8	A351-CF8M
204	DISC	A217-CA15	A351-CF8	A351-CF8M
205	DISC NUT	A276-410	A351-CF8	A276-316
206	STEM	A276-410	A351-CF8	A276-316
207	BACK SEAT NUT	A276-410	A276-304	A276-316
208	STEM PACKING	GRAPHITE RINGS(BRAIDED & MOULDED)		
209	GLAND BUSH	A276-410	A276-304	A276-316
210	GLAND FLANGE	WCB	SS 304	SS 316
211	EYE BOLT WITH NUT	A307-Gr.B	F 304	F 304
212	EYE BOLT PIN	A276-410	A276-410	A276-410
213	STEM NUT	ASTM A439-D2		
214	THRUST PAD	A276-410	A276-304	A276-316
215	FULL THREAD STUD WITH 2HEAVY NUTS	A193-B7/ A194-2H	A193-B8/ A194-8	A193-B8M/ A194-8M
216	GASKET	SS+GRAPHITE FILLED		
217	HAND WHEEL	DI / CS		
217	NUT WITH WASHER	A194-2H		

TESTING

PRESSURE RATING	HYDROSTATIC SHELL TEST	HYDROSTATIC SEAT TEST
	Kg/CM2	Kg/CM2
150#	31.5	22
300#	79	58
600#	157.5	114

DIMENSION TABLE 150#

SIZE		A	øB	C(MAX.)	øD
MM	INCH				
50	2"	203	52	330	200
80	3"	241	76	380	250
100	4"	292	102	450	355
150	6"	406	153	535	355
200	8"	495	204	705	455
250	10"	622	254	785	510
300	12"	698	305	815	610

DIMENSION TABLE 300#

SIZE		A	øB	C(MAX.)	øD
MM	INCH				
50	2"	267	52	340	200
80	3"	318	76	396	250
100	4"	356	102	465	355
150	6"	444	153	567	455

DIMENSION TABLE 600#

SIZE		A	øB	C(MAX.)	øD
MM	INCH				
50	2"	292	52	360	250
80	3"	356	76	440	355
100	4"	432	102	495	355

CONFORMITY TO CODES & STANDARDS

- GENERAL DESIGN :- BS 1873
- TESTING :- API 598
- TYPE :- BOLTED BONNET, OS & Y, NERROW SEAT TYPE DISC.
- RATING :- CLASS 150,300,600
- FACE TO FACE :- ASME B 16.10
- PRESSURE & TEMPERATURE RATING :- ASME B 16.34 (STANDARD CLASS)
- FLANGE STANDARED CONFORMITY :- ASME B 16.5

NOTE:-ALL DIM. ARE IN MM

THIS DRAWING IS PROPERTY OF ALLWYN ENTERPRISE.
ALLWYN ENTERPRISE RESERVES RIGHTS OF USE,CHANGE & MODIFY PRODUCT DESIGN OR PRODUCT WITHOUT PRIOR NOTICE.

CHECKED BY :-

APPROVED :-