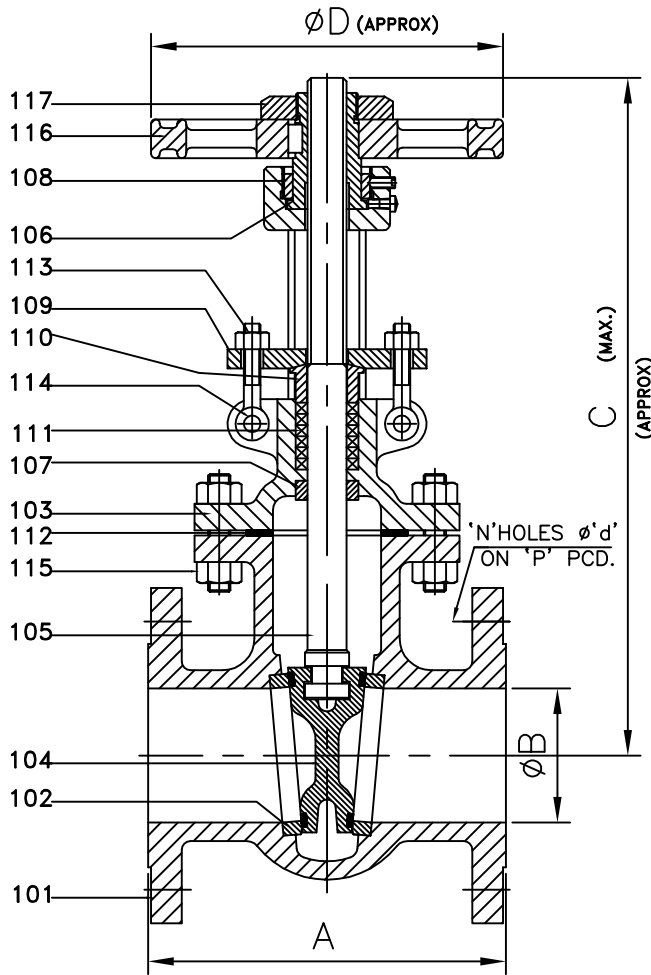




ALLWYN ENTERPRISE

UNIT-1:31,SHAYONA ESTATE , NEAR VADILAL ICE FACTORY,
TAVDIPURA,DUDHESHWAR ROAD , SHAHIBAUG,
AHMEDABAD-380 004 , GUJARAT, INDIA.
E-mail: info@valvemanufacturer.in

DRN MASUM	DATE 3/09/2011	
GATE VALVE 150#/300#/600#		
DRG. NO : AE/GTV/50-300		



MATERIAL OF CONSTRUCTION

SR.NO.	PARTS NAME	MATERIALS		
101	BODY	A216-WCB	A351-CF8	A351-CF8M
102	SEAT RING	A105+13%Cr	A351-CF8	A351-CF8M
103	BONNET	A216-WCB	A351-CF8	A351-CF8M
104	WEDGE	A217-CA15	A351-CF8	A351-CF8M
105	STEM	A276-410	A216-CF8	A276-316
106	STEM NUT	ASTM A439-D2		
107	BACK SEAT NUT	A276-410	A276-304	A276-316
108	BONNET BUSH	C15		
109	GLAND FLANGE	WCB	SS 304	SS 316
110	GLAND BUSH	A276-410	A276-304	A276-316
111	STEM PACKING	GRAPHITE RINGS (BRAIDED&MOULDED)		
112	GASKET	SS+GRAPHITE FILLED		
113	EYE BOLT EITH NUT	A307-Gr.B	F304	F304
114	EYE BOLT PIN	A276-410	A276-410	A276-410
115	FULL THREAD STUD WITH 2HEAVY NUTS	A193-B7/ A194-2H	A193-B8/ A194-8	A193-B8M/ A194-8M
116	HAND WHEEL	DI / CS		
117	HAND WHEEL LOCK NUT	C15		

TESTING

PRESSURE RATING	HYDROSTATIC SHELL TEST	HYDROSTATIC SEAT TEST
	Kg/CM2	Kg/CM2
150#	31.5	22
300#	79	58
600#	157.5	114

DIMENSION TABLE 150#

SIZE		A	ϕB	C(MAX.)	ϕD
MM	INCH				
50	2"	178	52	370	200
80	3"	203	76	445	250
100	4"	229	102	540	250
150	6"	267	152	750	355
200	8"	292	203	950	455
250	10"	330	254	1120	455
300	12"	356	305	1315	510

DIMENSION TABLE 300#

SIZE		A	ϕB	C(MAX.)	ϕD
MM	INCH				
50	2"	216	52	390	200
80	3"	282	76	465	250
100	4"	305	102	550	250
150	6"	403	152	770	355
200	8"	419	203	960	455
250	10"	457	254	1160	510
300	12"	502	305	1340	510

DIMENSION TABLE 600#

SIZE		A	ϕB	C(MAX.)	ϕD
MM	INCH				
50	2"	290	52	395	200
80	3"	357	76	482	250
100	4"	433	102	590	355
150	6"	559	152	825	510
200	8"	660	203	1015	510
250	10"	787	254	1202	510
300	12"	838	298	1365	610

CONFORMITY TO CODES & STANDARDS

- GENERAL DESIGN :- API 600
- TESTING :- API 598
- TYPE :- BOLTED BONNET, OS & Y, FLEXIBLE WEDGE.
- RATING :- CLASS 150,300,600
- FACE TO FACE :- ASME B 16.10
- PRESSURE & TEMPERATURE RATING :- ASME B 16.34 (STANDARD CLASS)
- FLANGE STANDARED CONFORMITY :- ASME B 16.5

NOTE:-ALL DIM. ARE IN MM

THIS DRAWING IS PROPERTY OF ALLWYN ENTERPRISE.
ALLWYN ENTERPRISE RESERVES RIGHTS OF USE,CHANGE & MODIFY PRODUCT DESIGN OR PRODUCT WITHOUT PRIOR NOTICE.

CHECKED BY :-

APPROVED :-