



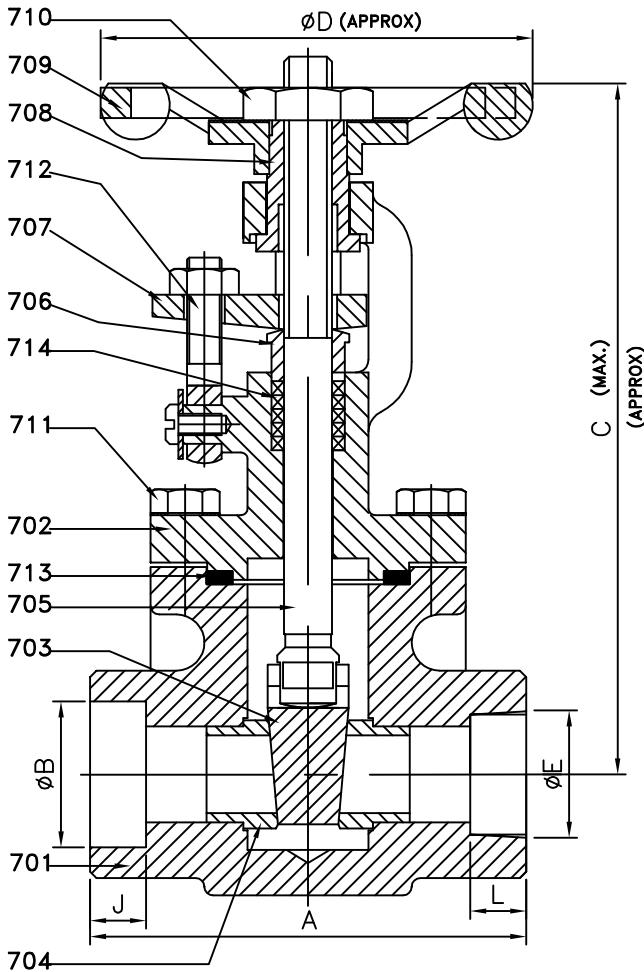
ALLWYN ENTERPRISE

UNIT-1:31,SHAYONA ESTATE , NEAR VADILAL ICE FACTORY,
TAVDIPURA,DUDHESHWAR ROAD , SHAHIBAUG,
AHMEDABAD-380 004 , GUJARAT, INDIA.
E-mail: info@valvemanufacturer.in

DRN	DATE	
MASUM	14/09/2011	

FORGED STEEL GATE VALVE1500#

DRG. NO : AE/F-GTV/15-40



MATERIAL OF CONSTRUCTION

SR.NO.	PARTS NAME	MATERIALS		
701	BODY	A 105	F 304	F 316
702	BONNET	A 105	F 304	F 316
703	WEDGE	AISI 410	AISI 304	AISI 316
704	SEAT RINGS	AISI 410	AISI 304	AISI 316
705	SPINDLE	AISI 410	AISI 304	AISI 316
706	GLAND BUSH	AISI 410	AISI 304	AISI 316
707	GLAND FLANGE	A 105	F 304	
708	YOKE SLEEVE	ASTM A 439 Gr.D2/AL-BRONZE		
709	HAND WHEEL	CAST STEEL /M.I		
710	HAND WHEEL NUT	Gr.2h		
711	STUD & NUT	B7/2H	B8/8 OR B7/2H	
712	EYE BOLT & NUT	B7/2H	B8/8	
713	GASKET	SPW S.S 304/316 WITH CAF/GRAFOIL		
714	GLAND PACKING	GRAPHITE ASBESTOS INHIB,&INCONEL WIRE REIN.		

SOCKET WELD ENDS

SCREWED ENDS

DIMENSION TABLE 1500#

SIZE		A	C	øD	SCREWED ENDS		SOCKET WELD ENDS		J MIN.
MM	INCH				øE	L	øB		
						MAX.	MIN.		
15	½"	92	176	90	½"	13.56	22.22	21.72	9.65
20	¾"	105	198	90	¾"	13.87	27.56	27.05	12.7
25	1"	127	278	145	1"	17.35	34.29	33.78	12.7
40	1½"	140	298	145	1½"	18.38	49.15	48.64	12.7

TESTING

PRESSURE RATING	HYDROSTATIC SHELL TEST	HYDROSTATIC SEAT&BACKSEAT TEST
	Kg/CM2	Kg/CM2
1500#	383	281

CONFORMITY TO CODES & STANDARDS

- GENERAL DESIGN :- API 602 / BS 5352
- TESTING :- API 598/BS 6755 (PART-1)
- TYPE :- BOLTED BONNET, OS & Y, FLEXIBLE WEDGE.
- RATING :- CLASS 1500
- FACE TO FACE :- AS SHOWN
- END CONNECTION :- SCREWED ENDS TO BSP/BSPT/NPT
SOCKET WELD ENDS TO ANSI B16.11

NOTE:-ALL DIM. ARE IN MM

THIS DRAWING IS PROPERTY OF ALLWYN ENTERPRISE.
ALLWYN ENTERPRISE RESERVES RIGHTS OF USE, CHANGE & MODIFY PRODUCT DESIGN OR PRODUCT WITHOUT PRIOR NOTICE.

CHECKED BY :-

APPROVED :-