

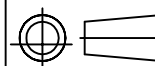


ALLWYN ENTERPRISE

UNIT-1:31,SHAYONA ESTATE , NEAR VADILAL ICE FACTORY,
TAVDIPURA,DUDHESHWAR ROAD , SHAHIBAUG,
AHMEDABAD-380 004 , GUJARAT, INDIA.
E-mail: info@valvemanufacturer.in

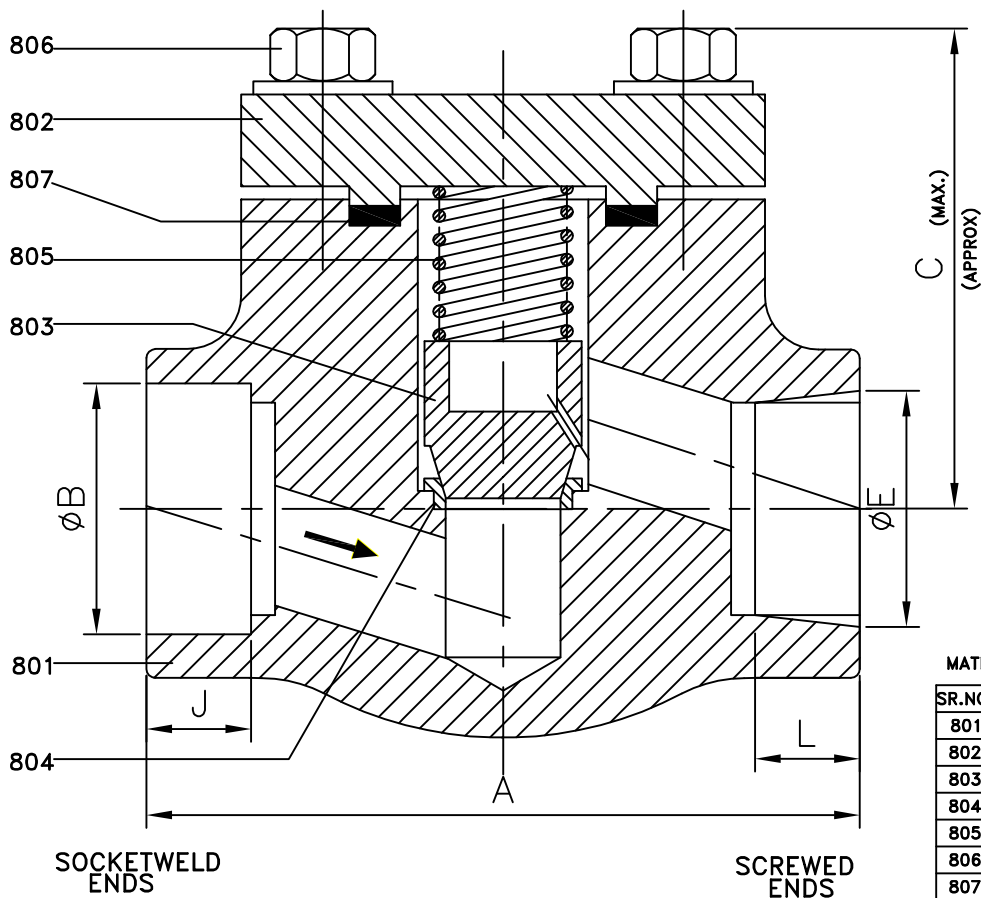
DRN
MASUM

DATE
5/09/2011



FORGED STEEL LIFT CHECK
VALVE 800#

DRG. NO : AE/F-CHK/15-50



MATERIAL OF CONSTRUCTION

SR.NO.	PARTS NAME	MATERIALS		
801	BODY	A105	F304	F316
802	COVER	A105	F304	F316
803	PISTON	AISI 410	AISI 304	AISI 316
804	SEAT RING	AISI 410	AISI 304	AISI 316
805	GASKET	ASBETOS FILLER SS304 SPRIAL WOUNDED		
806	SPRING	SPRING STEEL/SS 304		
807	HEX BOLT	ASTM A193 Gr.B7		

DIMENSION TABLE 800#

SIZE		A	C	SCREWED ENDS		SOCKET WELD ENDS		J MIN.
MM	INCH			∅E	L	∅B		
				MAX.	MIN.			
15	½"	85	55	½"	13.56	22.22	21.72	9.65
20	¾"	92	60	¾"	13.87	27.56	27.05	12.7
25	1"	105	72	1"	17.35	34.29	33.78	12.7
40	1½"	127	95	1½"	18.38	49.15	48.64	12.7
50	2"	140	100	2"	19.23	61.62	61.11	15.75

TESTING

PRESSURE RATING	HYDROSTATIC SHELL TEST	HYDROSTATIC SEAT&BACKSEAT TEST
	800#	211 Kg/CM2

CONFORMITY TO CODES & STANDARDS

- 1) GENERAL DESIGN :- BS 5352
- 2) TESTING :- BS 6755 (PART-1)
- 3) TYPE :- LIFT CHECK
- 4) RATING :- CLASS 800
- 5) FACE TO FACE :- AS SHOWN
- 6) END CONNECTION :- SCREWED ENDS TO BSP/BSPT/NPT
:- SOCKET WELD ENDS TO ANSI B16.11

NOTE:-ALL DIM. ARE IN MM

THIS DRAWING IS PROPERTY OF ALLWYN ENTERPRISE.
ALLWYN ENTERPRISE RESERVES RIGHTS OF USE,CHANGE & MODIFY PRODUCT DESIGN OR PRODUCT WITHOUT PRIOR NOTICE.

CHECKED BY :-

APPROVED :-