



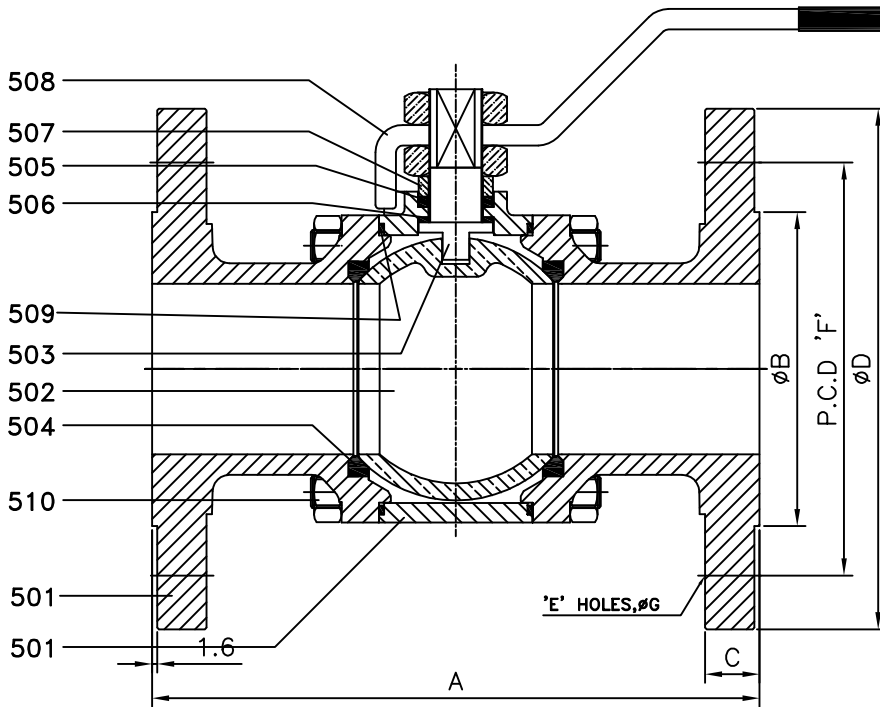
ALLWYN ENTERPRISE

UNIT-1:31,SHAYONA ESTATE , NEAR VADILAL ICE FACTORY,
TAVDIPURA,DUDHESHWAR ROAD , SHAHIBAUG,
AHMEDABAD-380 004 , GUJARAT, INDIA.
E-mail: info@valvemanufacturer.in

DRN	DATE	
MASUM	05/09/2011	

3PC BALL VALVE 150#,300#,600#

DRG. NO : AE/FBL/25-200



SR.NO.	PARTS NAME	MATERIALS			
501	BODY & BODY CONNECTOR	A216-WCB	A351-CF8	A351-CF8M	
502	BALL	A216-WCB	A351-CF8	A351-CF8M	
503	STEM	A276-410	A276-304	A276-316	
504	SEAT RINGS	PTFE/R-PTFE(25%GLASS FILLED)			
505	PACKING	PTFE/R-PTFE(25%GLASS FILLED)			
506	THRUST WASHER	PTFE/R-PTFE(25%GLASS FILLED)			
507	GLAND&GLAND NUT	A216-WCB	A351-CF8	A351-CF8M	
508	HANDLE	MS / SS			
509	GASKET	PTFE/R-PTFE(25%GLASS FILLED)			
510	FASTENER	STUD	A193-B7	A193-B8	A193-B8M
		NUTS	A194-2H	A194-8	A194-8M

TESTING

PRESSURE RATING	HYDROSTATIC SHELL TEST	HYDROSTATIC SEAT TEST
	Kg/CM2	Kg/CM2
150#	31.5	22
300#	79	58
600#	157.5	114

NOTE:-ALL DIM. ARE IN MM

DIMENSION TABLE 150#

SIZE		A	ϕB	C	D	E	F	G
MM	INCH							
25	1"	127	51	11	108	4	79	16
40	1½"	165	73	14	127	4	98	16
50	2"	178	92	16	152	4	121	19
65	2½"	190	105	17	178	4	140	19
80	3"	203	127	19	190	4	152	19
100	4"	229	157	24	229	8	190	19
125	5"	254	186	24	254	8	216	22
150	6"	267	216	25	279	8	241	22
200	8"	292	270	29	343	8	298	22

DIMENSION TABLE 300#

SIZE		A	ϕB	C	D	E	F	ϕG
MM	INCH							
25	1"	165	51	17.5	124	4	89	19
40	1½"	191	73	21	156	4	114	22
50	2"	216	92	22	165	8	127	22
65	2½"	241	105	25	190	8	149	22
80	3"	282	127	29	209	8	168	22
100	4"	305	157	32	254	8	200	22
125	5"	381	186	35	279	8	235	22
150	6"	403	216	37	318	12	270	22

DIMENSION TABLE 600#

SIZE		A	ϕB	C	D	E	F	ϕG
MM	INCH							
25	1"	216	51	23.8	124	4	89	19
40	1½"	241	73	28.6	156	4	114.3	22
50	2"	292	92	31.7	165	8	127	22
65	2½"	330	105	34.8	190	8	149	22
80	3"	356	127	38.1	209	8	168	22
100	4"	432	157	44.5	273	8	216	25.4

CONFORMITY TO CODES & STANDARDS

- 1) GENERAL DESIGN :- BS 5351
- 2) TESTING :- BS 6755 (Part-1)
- 3) TYPE :- THREE PIECE, FLANGED END & FLOATING BALL. (SOLID BALL / HOLLOW BALL)
- 4) RATING :- CLASS 150,300,600
- 5) FACE TO FACE :- ASME B 16.10
- 6) PRESURE & TEMPERATURE RATING :- ASME B 16.34 (STANDARD CLASS)
- 7) FLANGE STANDARD CONFORMITY :- ASME B 16.5

THIS DRAWING IS PROPERTY OF ALLWYN ENTERPRISE.
ALLWYN ENTERPRISE RESERVES RIGHTS OF USE, CHANGE & MODIFY PRODUCT DESIGN OR PRODUCT WITHOUT PRIOR NOTICE.

CHECKED BY :-

APPROVED :-